

ATLANTIC OCEAN



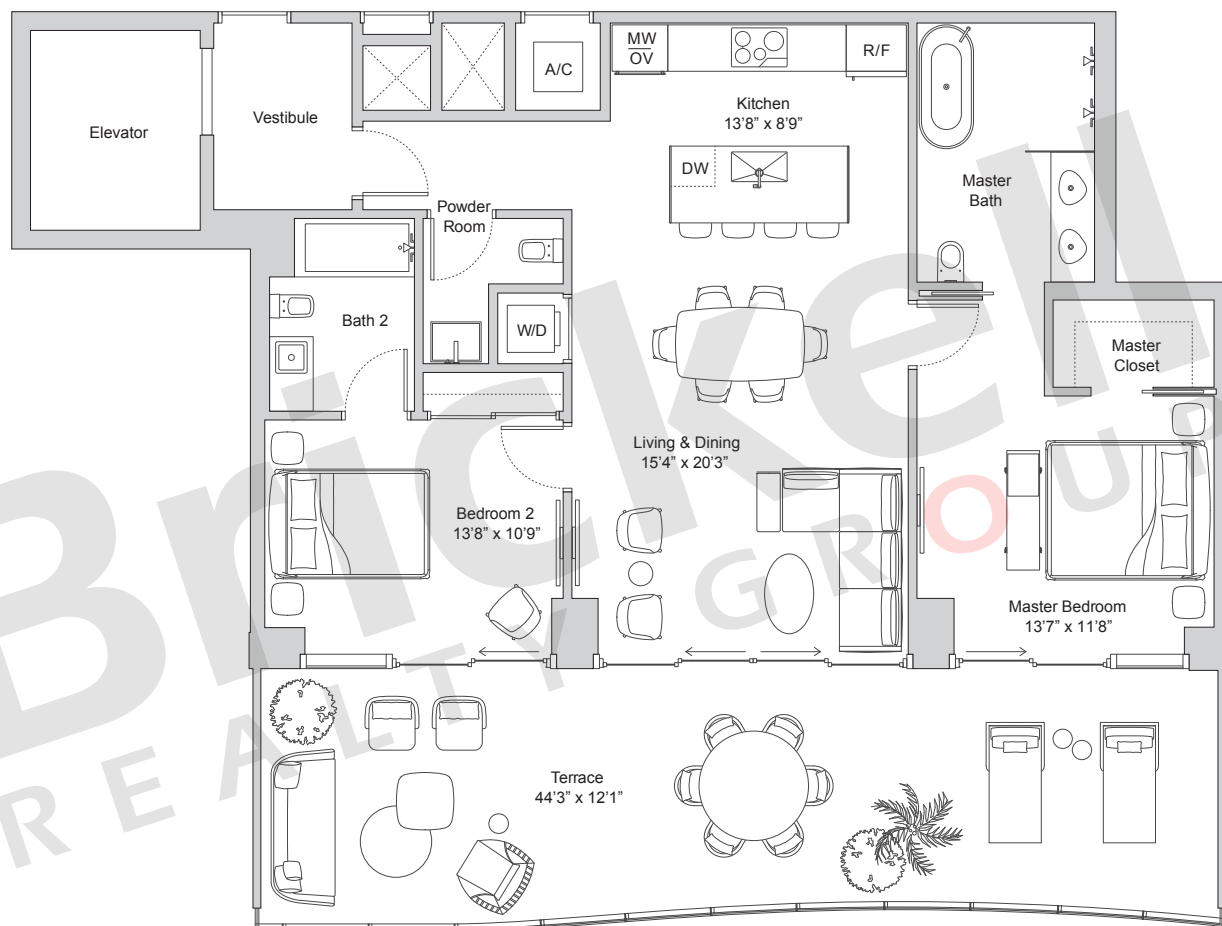
# 57 OCEAN

MIAMI BEACH

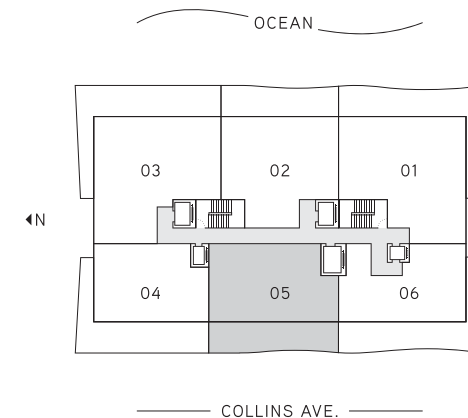
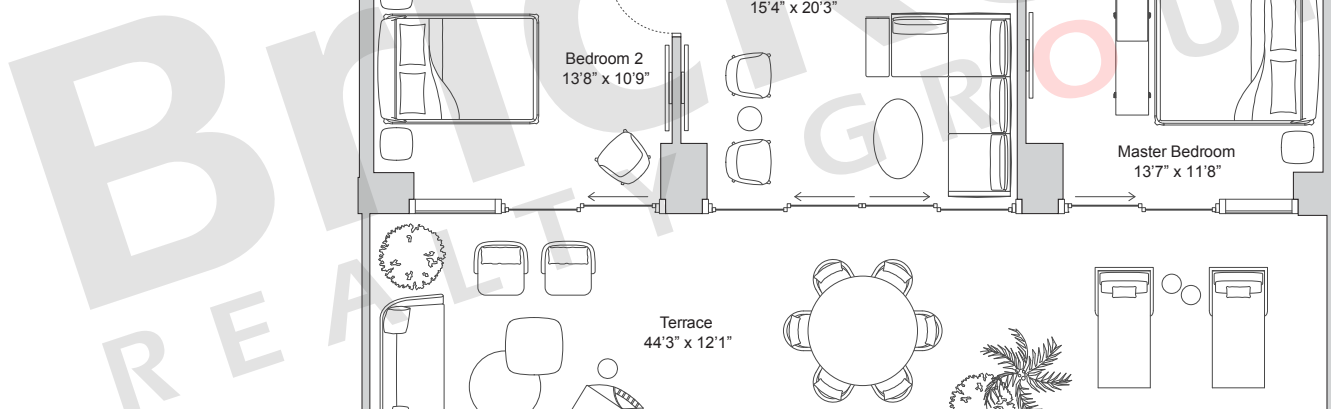
## Residence 05

Floors 4-18

2 Bedrooms · 2.5 Baths



	SQ FT	M <sup>2</sup>
Interior	1,245	115.7
Terrace	509	47.3
<b>Total</b>	<b>1,754</b>	<b>163.0</b>



COLLINS AVENUE

## Brickell REALTY GROUP

2071 NW 112th Avenue, Miami, FL 33172

[www.brickell-realty.com/57Ocean.html](http://www.brickell-realty.com/57Ocean.html)

Oral representation cannot be relied upon as correctly stating representations of the developer. Pictures of homes and condos may not reflect the final products which may vary. Dimensions, specifications, improvements, rendering, plans, land uses, materials, amenities, prices, and availability are subject to change at the developer's discretion without notice.

Stated dimensions are approximate and measured to the exterior boundaries of the exterior walls and the centerline of interior demising walls which in fact vary from the dimensions that would be determined by using the description and definition of the "Unit" set forth in the Declaration (which generally only includes the interior airspace between the perimeter walls and excludes interior structural components).